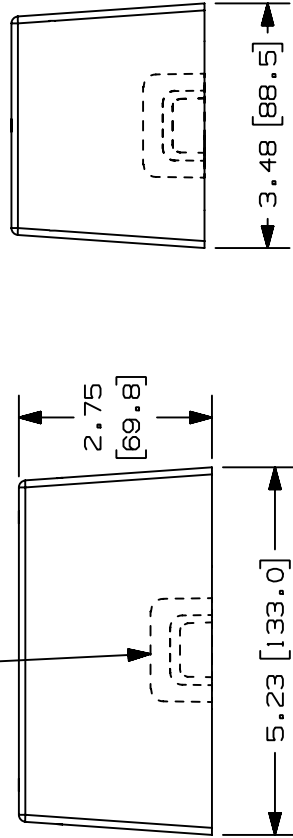
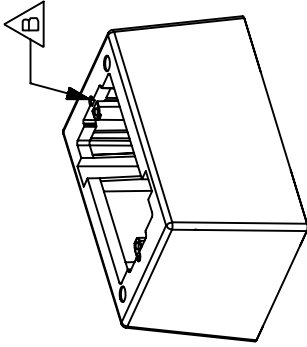
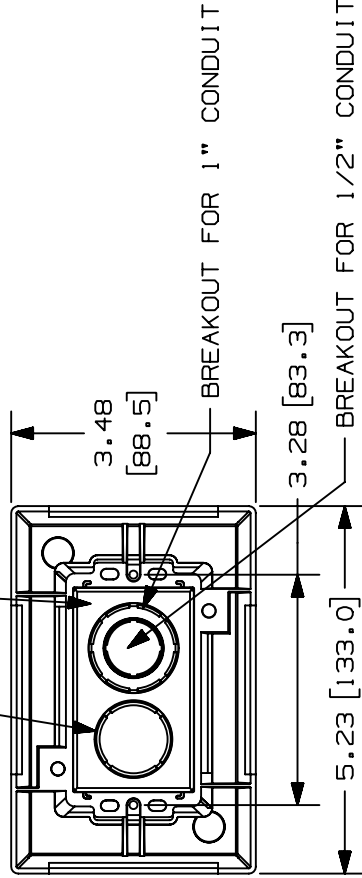


THIS COPY IS PROVIDED ON A RESTRICTED BASIS AND IS NOT TO BE USED IN ANY WAY DETRIMENTAL TO THE INTERESTS OF PANDUIT CORP.
 NO WARRANTY, EXPRESSED OR IMPLIED, IS MADE BY PANDUIT WITH RESPECT TO ADHESIVE BOND PERFORMANCE. AMONG OTHER THINGS, THE CONDITIONS UNDER WHICH THESE MOUNTS MAY BE APPLIED AND/OR THE SURFACE TO WHICH THEY MAY BE APPLIED ARE BEYOND PANDUIT CONTROL.

LD STYLE BREAKOUTS ON EACH SIDE OF THE FOUR SIDE WALLS



BREAKOUT FOR 3/4" CONDUIT CENTER RECTANGLE BREAKOUT FOR WALL BOX



PANDUIT P/N	WEIGHT
JBID-A	2.5 LB/10 PCS. (1141.6 G/10 PCS.)



- NOTES:
- SEE CURRENT CATALOG FOR ADDITIONAL PART SUFFIXES TO INDICATE COLOR AND OR PACKAGE QUANTITY.
 - ADHESIVE PRESSURE SENSITIVE FOAM .040 (1.0) THICK WITH PROTECTIVE LINER IS PROVIDED FOR EASE OF MOUNTING.
 - DIMENSIONS IN PARENTHESIS ARE IN METRIC.

WAS D35541DB_JBID_C_00.PRT
 D35541DP_DC_JBID_00.PRT

CAO FILENAME/LAYERS

PANDUIT

CORP. TINLEY PARK, ILLINOIS

ONE PIECE JUNCTION BOX (JBID-A)
 (DEEP)

CUSTOMER DRAWING

UNLESS OTHERWISE SPECIFIED,
 DIMENSIONAL TOLERANCES ARE:
 (.XX) ± .010(.3)
 (.XXX) ± .010(.3)
 (.XX) ± .03(.8) ANGLES ±

UNLESS OTHERWISE SPECIFIED,
 ALL DIMENSIONS ARE GIVEN
 IN INCHES, THIRD ANGLE PROJECTION.

DRAWN BY MAT'L:

SCALE NONE

PM

DRAWING NO.

DATE 10-15-96

DWG

35541-54



CHK'D CEF

SIZE

A

MAT'L: POLYSTYRENE

DESCRIPTION

REV

DATE

BY

CHK

1

03-11-99

DW

HIW

R

10-15-96

PM

CEF

ECN

-

R

CUST

SUP

35541-54

HIW

CEF

DESCRIPTION

RELEASED TO PRODUCTION

C. MAT'L WAS ABS/POLYCARBONATE, D. CORRECTED BREAKOUTS.
 A. REV'D PRODUCT WEIGHT. B. REV'D FEATURE WHERE NOTED.